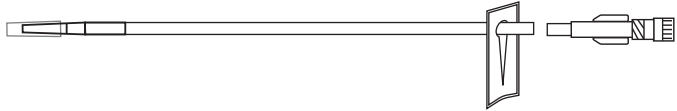
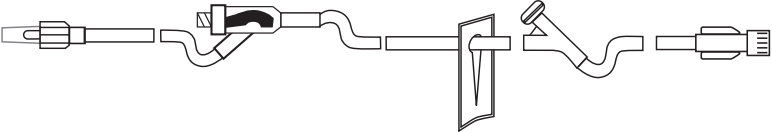
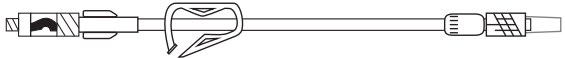


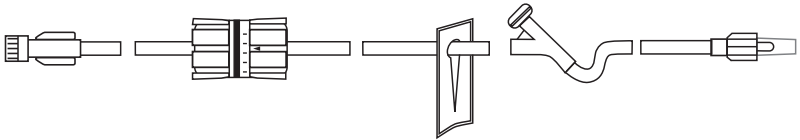




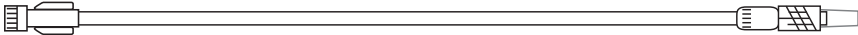
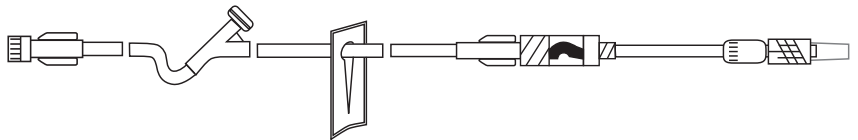
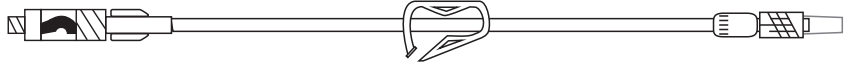
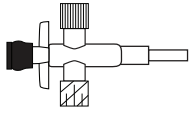

# I.V. Extension Sets

Item No.	Description	UOM
MS-83089	 <p>8", Luer Slip Lock, Slide Clamp. Approximate Priming Volume 2.0 mL</p>	100/Case
MS-83090	 <p>6", Needleless PRN, Split Septum Y-Site, Slide Clamp. Approximate Priming Volume 1.5 mL</p>	100/Case
MS-83091	 <p>6", Needleless Clear PRN, Roberts Clamp, Rotary Male Luer Lock. Approximate Priming Volume 2.0 mL</p>	100/Case
MS-83092	 <p>8", Needleless PRN, Roberts Clamp. Approximate Priming Volume 2.0mL</p>	100/Case
MS-83094	 <p>10", Needleless PRN, Roberts Clamp Approximate Priming Volume 2.0 mL</p>	100/Case
MS-83097	 <p>19", Flow Regulator, Split Septum Y-Site, Slide Clamp, Male Luer Lock. Approximate Priming Volume 3.2 mL</p>	48/Case



# MedSource

## I.V. Infusion

Item No.	Description	UOM
MS-83216	 <p>21", Male Luer Lock. Approximate Priming Volume 2.3 mL</p>	50/Case
MS-83377	 <p>6", Needleless Clear PRN, Split Septum Y-Site, Rotary Male Luer Lock. Approximate Priming Volume 2.0 mL</p>	50/Case
MS-83378	 <p>8", Needleless Clear PRN, Roberts Clamp, Rotary Male Luer Lock. Approximate Priming Volume 2.0 mL</p>	100/Case
MS-83005		
MS-83379		100/Case

## I.V. Admin Accessories